

THE COURSE DESIGNER

CELL
909-731-9168

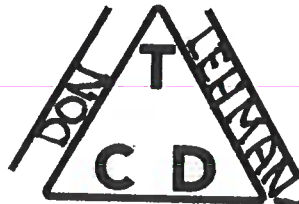
DON LEHMAN
2219 HICKORY PL.
ONTARIO, CA 91762

FAX:
909
972-8630

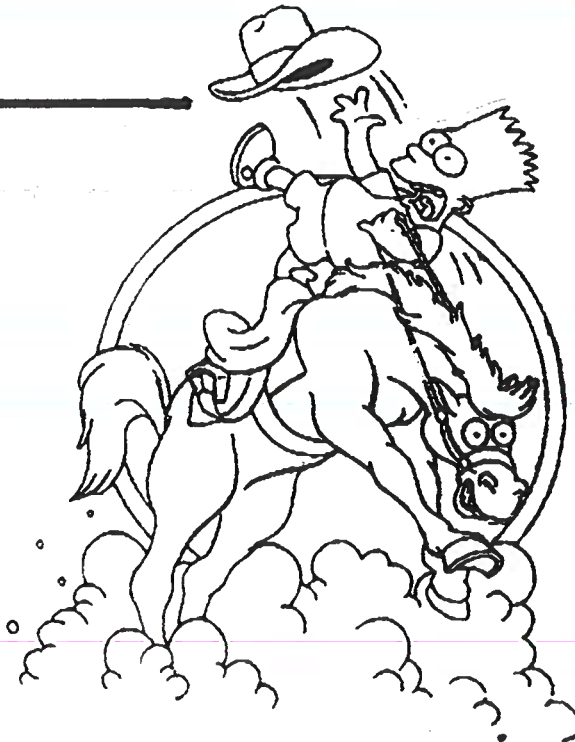
DATE: 5-5-26

TO NANCY HARVEY PAGES 11

WHOA!
COMING THRU



EMAIL: ted.lehman@gmail.com



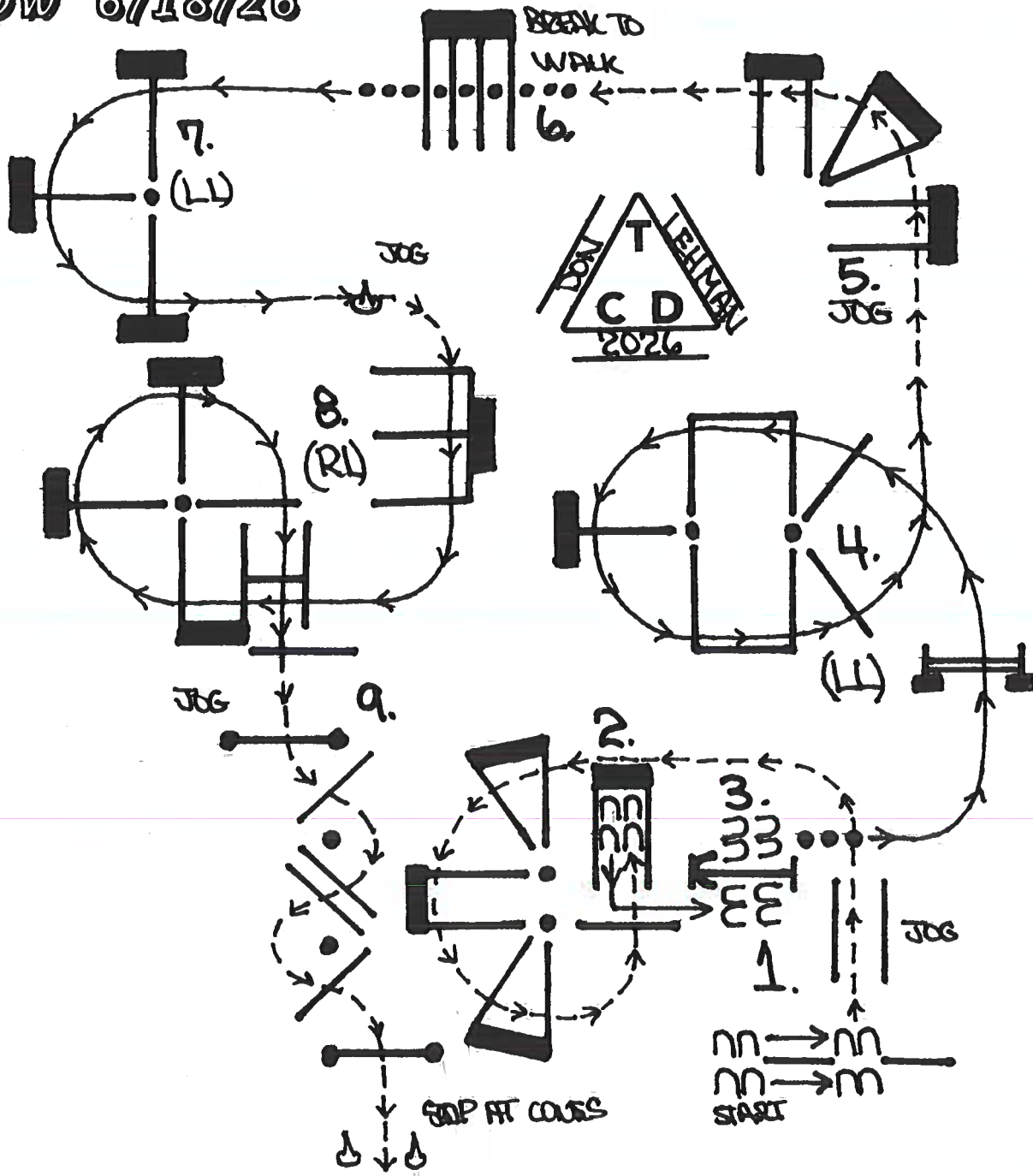
COMMENTS: _____

8 PATTERNS FOR CITY TRAIL

2 PATTERNS FOR RANCH TRAIL

REGION #2
CHAMPIONSHIP
SHOW 6/18/26

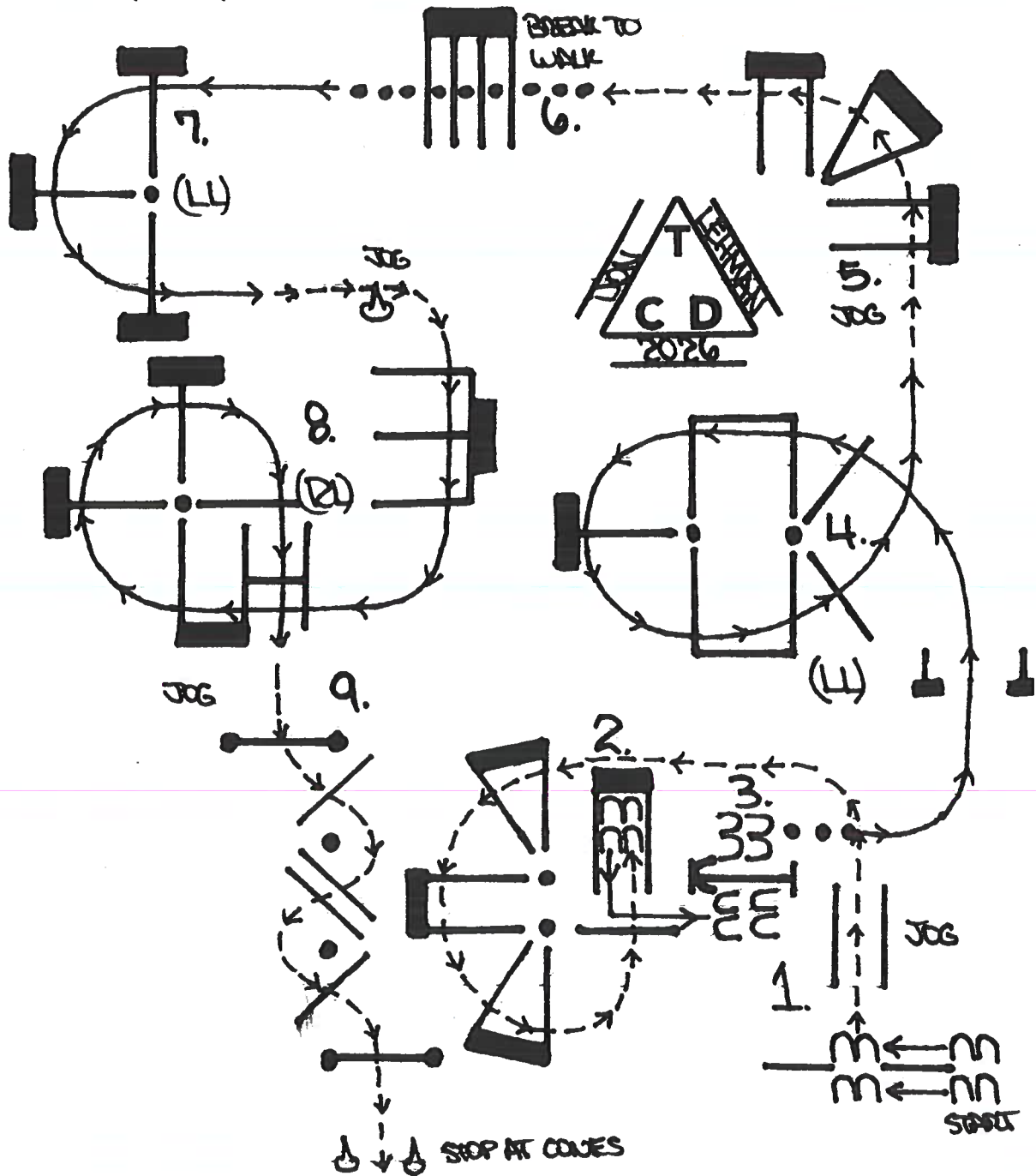
401-REG 2 ARAB ENG TRAIL
 402-REG 2 HA/AA ENG TRAIL



1. SIDE PASS RIGHT OVER POLE, TROT THRU CHUTE & OVER POLES & INTO CHUTE
2. BACK THRU POLES TO GATE
3. GATE:(RH) RIDE THRU OVER POLES CLOSE
4. LOPE (LL) OVER JUMP & POLES
5. TROT OVER POLES
6. WALK OVER POLES
7. LOPE (LL) OVER 3 POLES, BREAK TO JOG BEFORE CONE
8. LOPE (RL) OVER POLES
9. JOG THRU SERPENTINE OVER POLES, STOP AT CONES

REGION #2 CHAMPIONSHIP SHOW 6/18/26

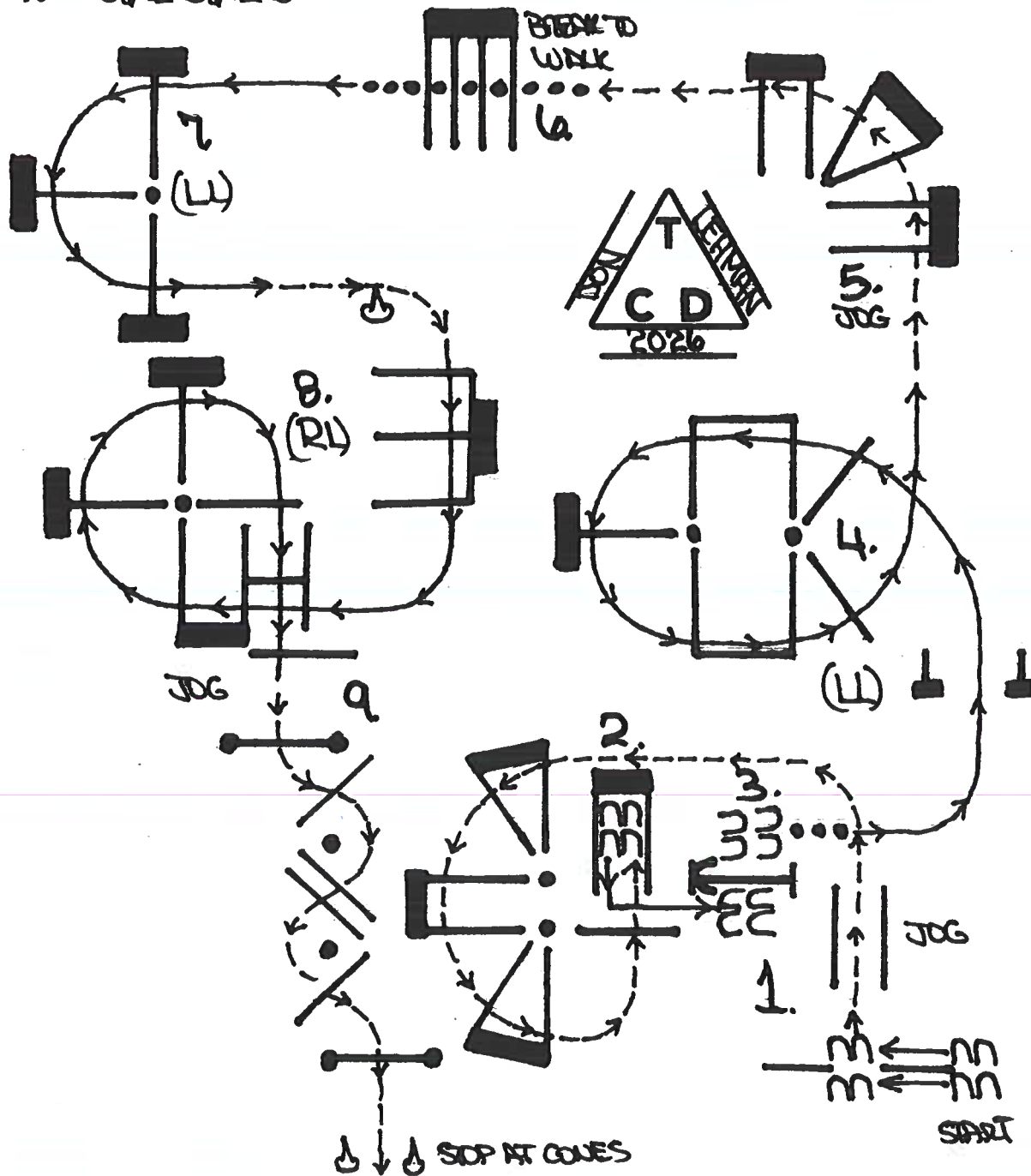
403-REG 2 ARAB ENG TRAIL-ATR
404-REG 2 HA/AA ENG TRAIL-ATR



1. SIDE PASS LEFT OVER POLE, TROT THRU CHUTE & OVER POLES & INTO CHUTE
2. BACK THRU POLES TO GATE
3. GATE:(RH) RIDE THRU OVER POLE CLOSE
4. LOPE (LL) OVER POLES
5. TROT OVER POLES
6. WALK OVER POLES
7. LOPE (LL) OVER 3 POLES, BREAK TO JOG BEFORE CONE
8. LOPE (RL) OVER POLES
9. JOG THRU SERPENTINE OVER POLES, STOP AT CONES

REGION #2
CHAMPIONSHIP
SHOW 6/18/26

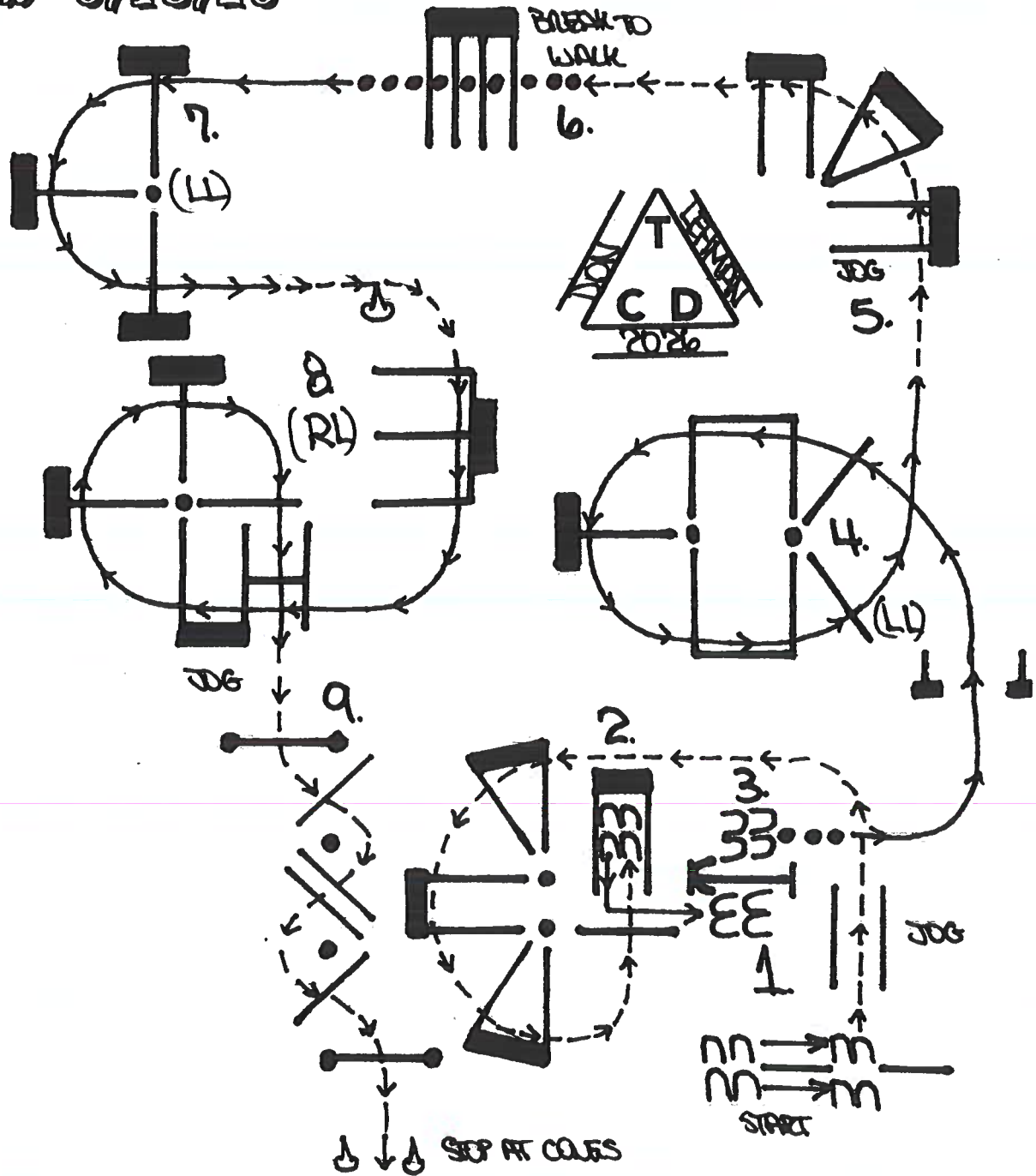
405-REG 2 ARAB WEST TRAIL-OPEN
 406-REG 2 HA/AA WEST TRAIL-OPEN



1. SIDE PASS LEFT OVER POLE, TROT THRU CHUTE & OVER POLES & INTO CHUTE
2. BACK THRU POLES TO GATE
3. GATE:(RH) RIDE THRU OVER POLES CLOSE
4. LOPE (LL) OVER POLES
5. TROT OVER POLES
6. WALK OVER POLES
7. LOPE (LL) OVER 3 POLES, BREAK TO JOG BEFORE CONE
8. LOPE (RL) OVER POLES
9. JOG THRU SERPENTINE OVER POLES, STOP AT CONES

REGION #2 CHAMPIONSHIP SHOW 6/18/26

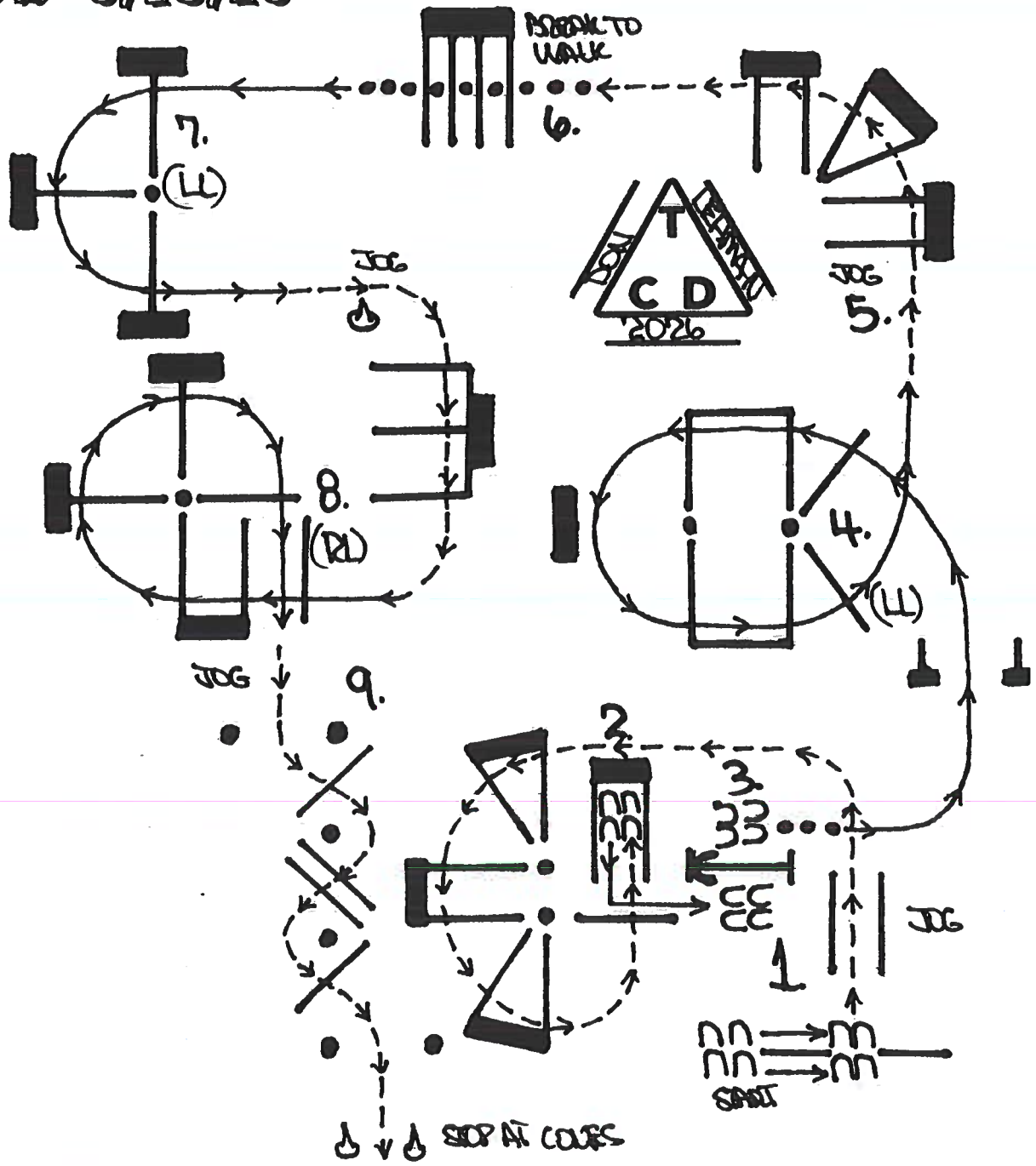
407-REG 2 ARAB WEST TRAIL-ATR
 408-REG 2 HA/AA WEST TRAIL-ATR
 409-REG 2 ARAB WEST TRAIL-AAOTR.19/OVER



1. SIDE PASS RIGHT OVER POLE, TROT THRU CHUTE & OVER POLES & INTO CHUTE
2. BACK THRU POLES TO GATE
3. GATE:(RH) RIDE THRU OVER POLE CLOSE
4. LOPE (LL) OVER POLES
5. TROT OVER POLES
6. WALK OVER POLES
7. LOPE (LL) OVER 3 POLES, BREAK TO JOG BEFORE CONE
8. LOPE (RL) OVER POLES
9. JOG THRU SERPENTINE OVER POLES, STOP AT CONES

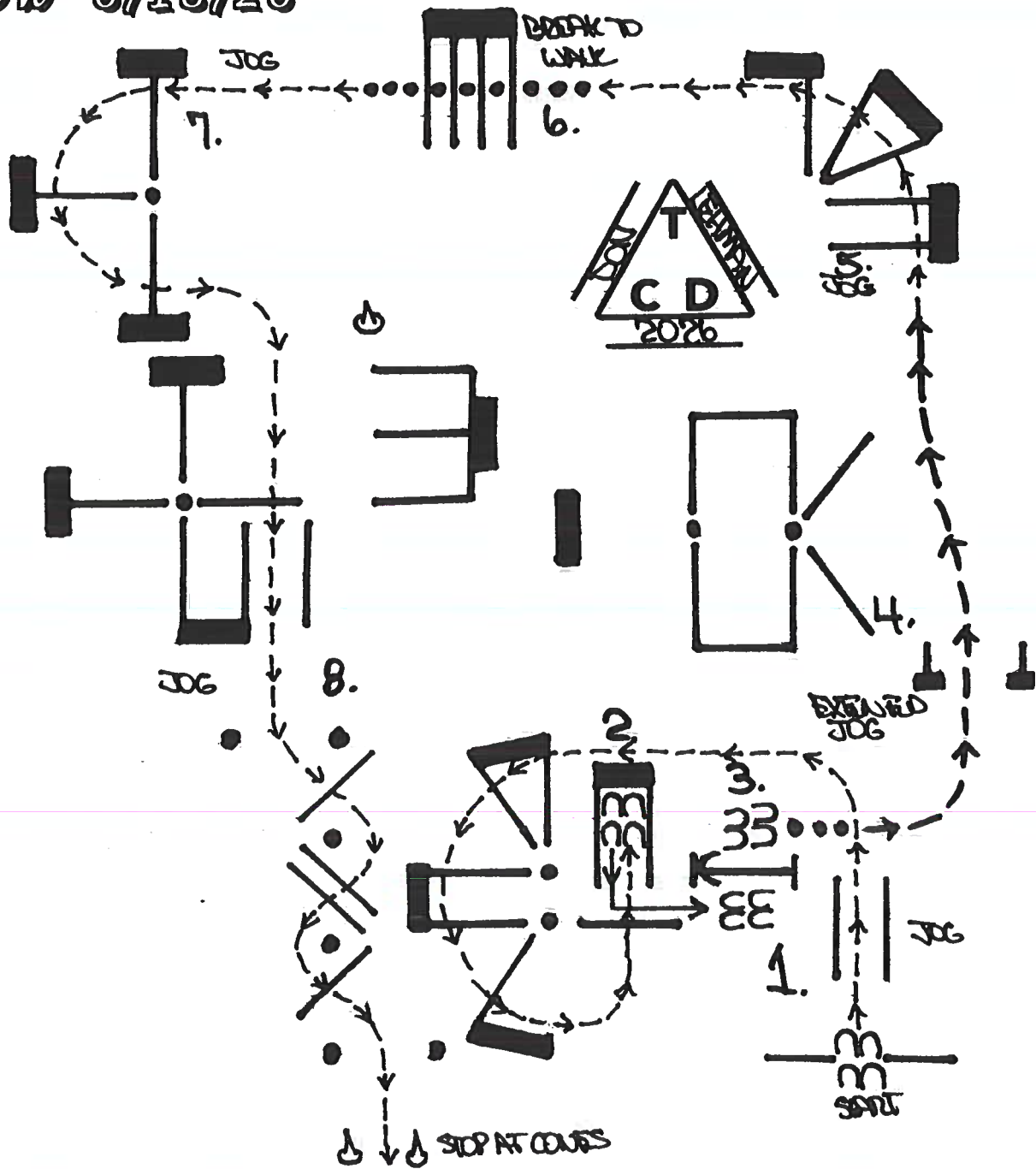
REGION #2 CHAMPIONSHIP SHOW 6/18/26

410-REG 2 ARAB WEST TRAIL-JR HORSE
412-REG 2 HA/AA WEST TRAIL-JR HORSE



1. SIDE PASS RIGHT OVER POLE, TROT THRU CHUTE & OVER POLES & INTO CHUTE
2. BACK THRU POLES TO GATE
3. GATE:(RH) RIDE THRU CLOSE
4. LOPE (LL) OVER POLES
5. TROT OVER POLES
6. WALK OVER POLES
7. LOPE (LL) OVER 3 POLES, BREAK TO JOG BEFORE CONE 7 OVER 3 POLES
8. LOPE (RL) OVER POLES
9. JOG THRU SERPENTINE OVER POLES, STOP AT CONES

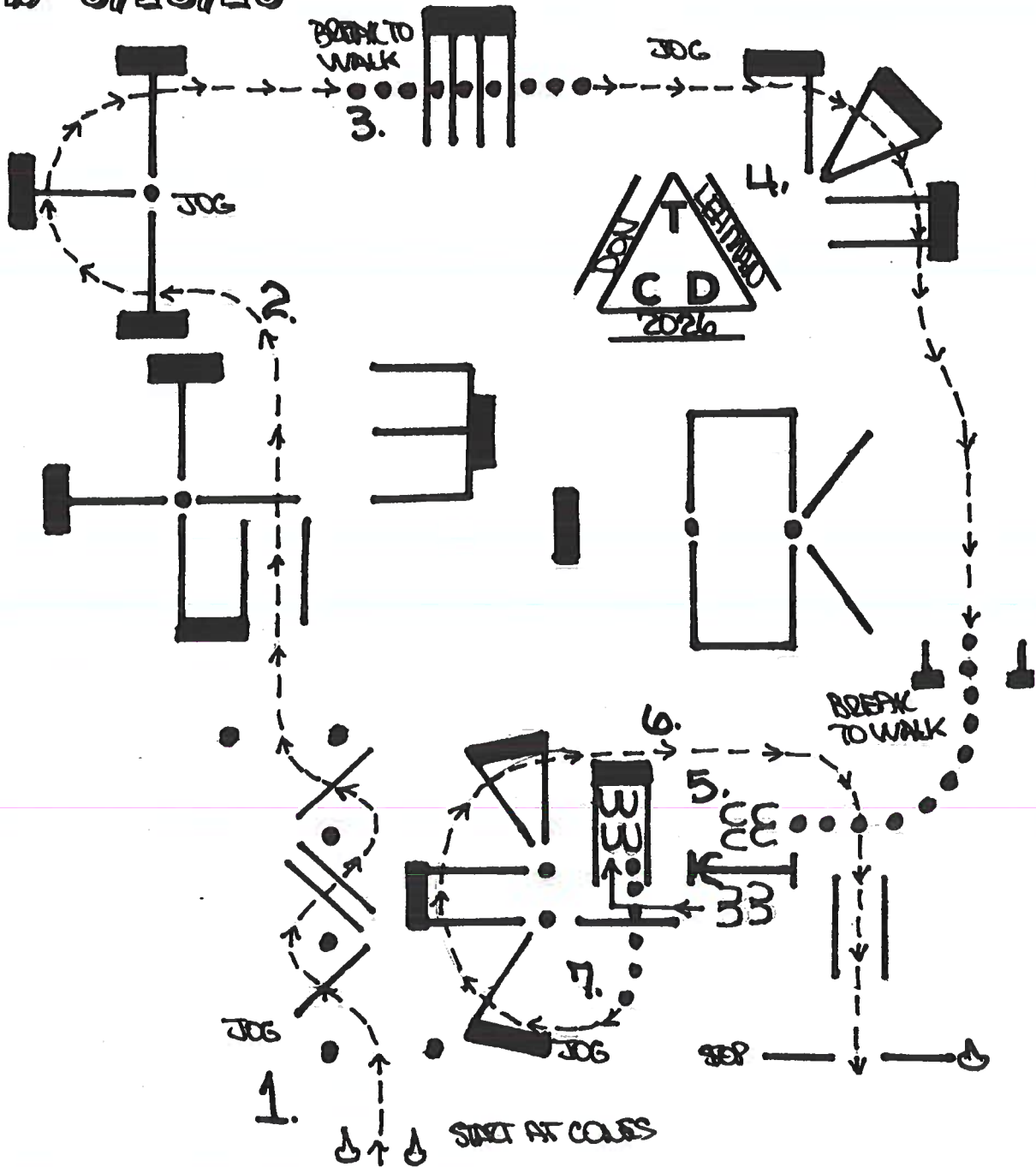
REGION #2
CHAMPIONSHIP
SHOW 6/18/26



1. JOG THRU CHUTE & OVER POLES INTO CHUTE
2. BACK THRU POLES TO GATE
3. GATE:(RH) RIDE THRU CLOSE
4. EXTENDED JOG
5. REGULAR JOG OVER POLES
6. WALK OVER POLES
7. JOG OVER 4 POLES
8. JOG THRU SERPENTINE & OVER POLES, STOP AT CONES

REGION #2 CHAMPIONSHIP SHOW 6/18/26

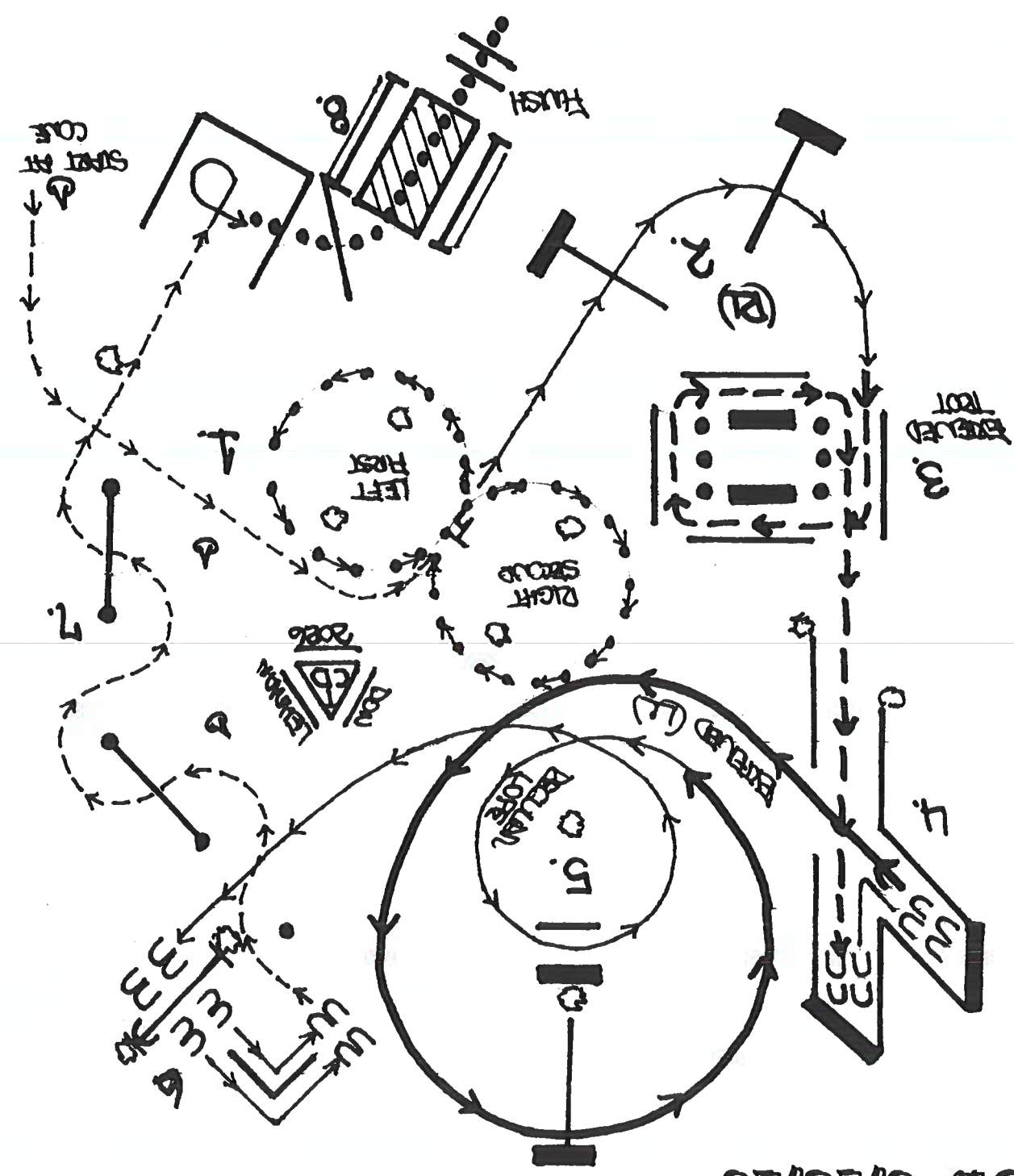
415-REG 2 ARAB EG/WEST IN HAND TRAIL-OPEN
416-REG 2 HA/AA ENG/WEST IN HAND TRAIL-OPEN



1. START AT CONES JOG THRU SERPENTINE & OVER POLES
2. JOG OVER 4 POLES
3. WALK OVER POLES
4. JOG OVER 5 POLES, BREAK TO WALK AT STANDARDS & WALK TO GATE
5. GATE:(LH) WALK THRU CLOSE
6. BACK THRU POLES, WALK OUT OVER 1 POLES
7. JOG OVER 5 POLES & THRU CHUTE, STOP AT CONE

REGION #2
CHAMPIONSHIP
SHOW 6/18/26

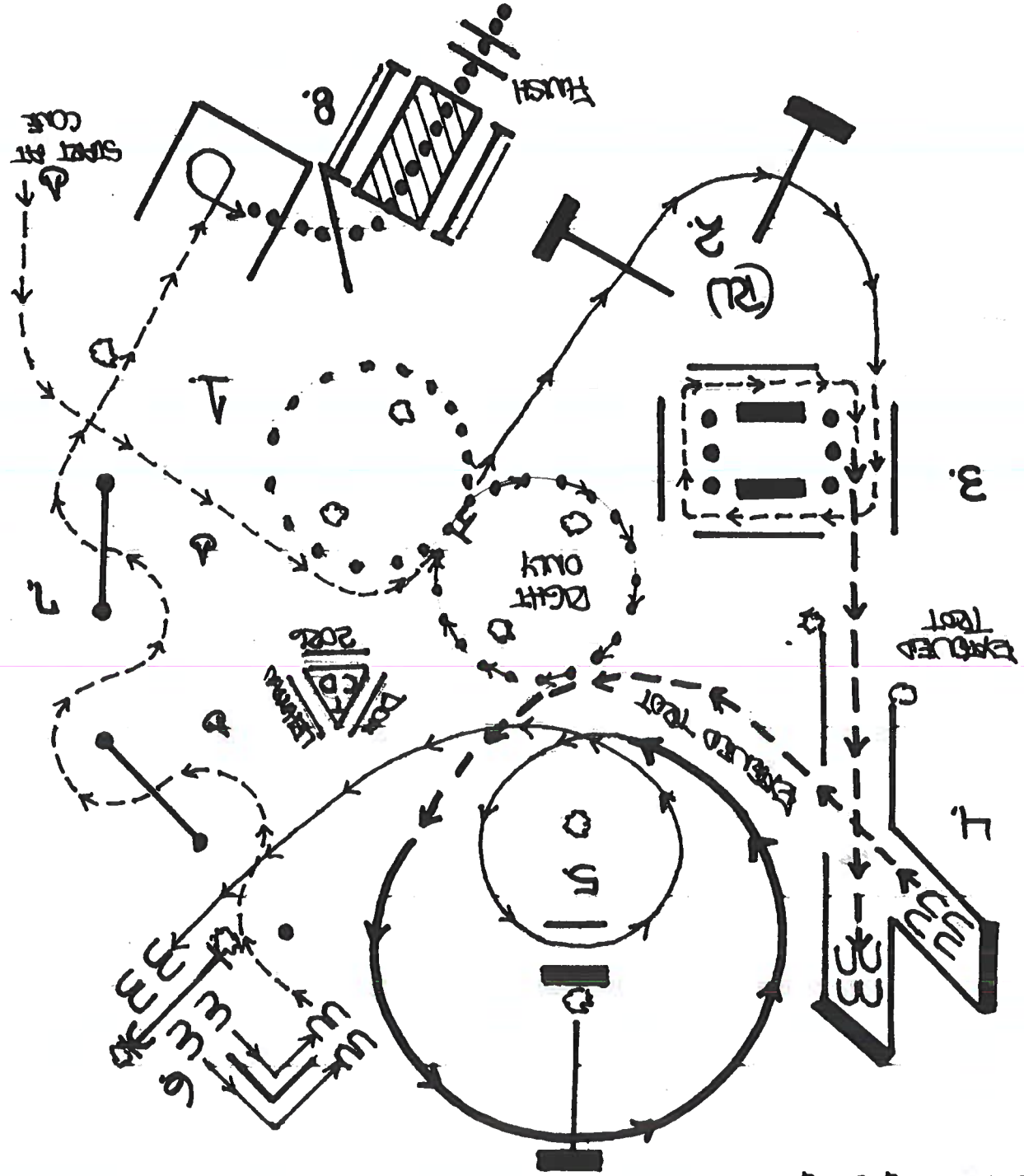
417-REG 2 ARAB VRH RANCH-OPEN
 418-REG 2 HA/AA VRH RANCH-OPEN



1. START AT CONE JOG TO DRAG, WORK DRAG (WALK/TROT) LEFT THEN WORK DRAG (WALK/TROT) RIGHT
2. LOPE (RL) OVER 2 POLES BREAK TO EXTENDED TROT
3. EXTENDED TROT AROUND CONES & WALLS & INTO CHUTE
4. BACK THRU POLES, EXTENDED LOPE (LL) OUT OF CHUTE
5. EXTENDED LOPE (LL) OVER 1 POLE, REGULAR LOPE (LL) CIRCLE AROUND CACTUS TO GATE
6. GATE:(LH) PUSH THRU CLOSE, SIDE PASS RIGHT OVER 2 POLES
7. JOG THRU SERPENTINE OVER POLES & INTO BOX, 3/4 TURN LEFT, WALK OUT OVER 2 POLES
8. WALK OVER BRIDGE & POLES

REGION #2
CHAMPIONSHIP
SHOW 6/18/26

419-REG 2 ARAB VRH RANCH-ATR
 420-REG 2 HA/AA VRH RANCH-ATR



1. START AT CONE JOG TO DRAG, WORK DRAG (WALK/TROT) RIGHT
2. LOPE (RL) OVER 2 POLES BREAK TO TROT
3. TROT AROUND CONES & WALLS, EXTENDED TROT INTO CHUTE
4. BACK THRU POLES, EXTENDED TROT OUT OF CHUTE
5. EXTENDED LOPE (LL) OVER 1 POLE, REGULAR LOPE (LL) CIRCLE AROUND CACTUS TO GATE
6. GATE:(LH) PUSH THRU CLOSE, SIDE PASS RIGHT OVER 2 POLES
7. JOG THRU SERPENTINE OVER POLES & INTO BOX, 3/4 TURN LEFT, WALK OUT OVER 2 POLES
8. WALK OVER BRIDGE & POLES